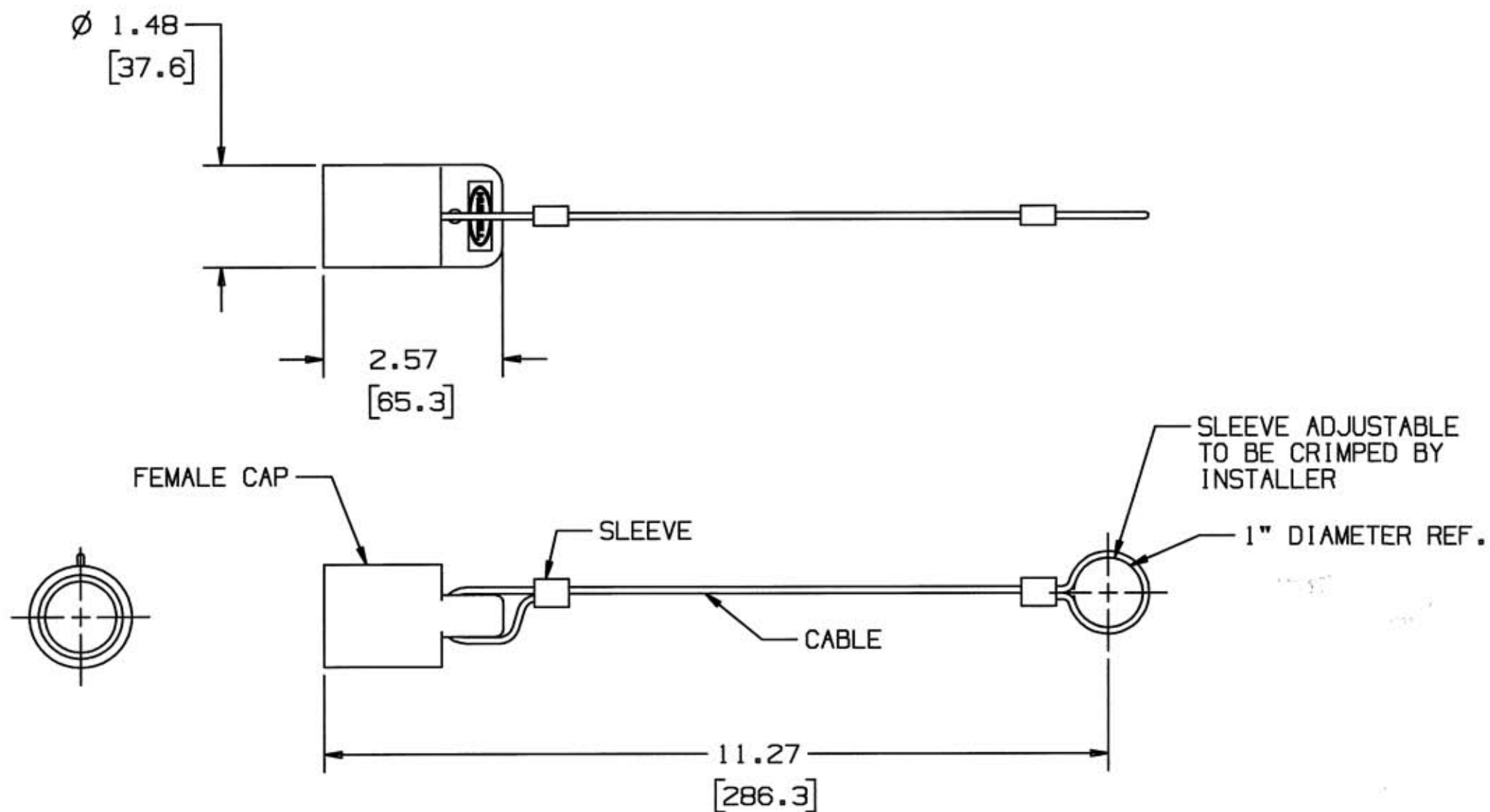


M-8928 | 2



NOTES:

- 1. DIMENSIONS ARE IN INCHES  $\pm .02$   
[MM]  $\pm .5$
- 2. FOR USE WITH FEMALE DEVICES
- 3. UL/c-UL ENCLOSURE TYPE 3R, SEE INSTRUCTION SHEET

HUBBELL CAT. NO.	COLOR
HBLFCAPBK	BLACK
HBLFCAPW	WHITE
HBLFCAPGN	GREEN
HBLFCAPR	RED
HBLFCAPBL	BLUE
HBLFCAPO	ORANGE
HBLFCAPBN	BROWN
HBLFCAPY	YELLOW

LIST OF PARTS

DESCRIPTION	MATERIAL	FINISH
FEMALE CAP	TPE	SEE TABLE
CABLE	STEEL	(PLASTIC COATED) NATURAL CLEAR
SLEEVE	ALUM.	ANODIZED

SYM	REVISIONS	APP	DATE
2	REMOVE BLEND LINES FROM ALL VIEWS REMOVE $\phi$ 1.03 [26.2] ADD FEMALE CAP CALL-OUT LIST OF PARTS FINISH NATURAL COLOR WAS BLACK MOVE NOTES TO BOTTOM ADD $\pm .02$ & $\pm .5$ TO NOTE 1 ADD NOTE 3 PER DCN 11484 TwB	TWB	12/15/04
1	6/25/03 RELEASED PER DCN 10992 MJM TB	TWB	

THE DESIGN AND DIMENSIONS OF THE PRODUCT SHOWN ON THIS DRAWING ARE SUBJECT TO CHANGE WITHOUT NOTICE

TITLE FEMALE PROTECTIVE CAP FOR SINGLE POLE

TOLERANCES UNLESS OTHERWISE SPECIFIED FRACTIONS $\pm 1/64$ DECIMALS $\pm .005$ ANGLES $\pm 2'$	WIRING DEVICE-KELLEMS HUBBELL INCORPORATED BRIDGEPORT, CT	
	DR. BY MJM	APP. BY
	TR. BY	SCALE 1/2
	CHK'D BY	DATE 6/25/03

DIMENSION SHEET FOR CAT. NO. M-8928  
 REPAIRABLE  NON-REPAIRABLE