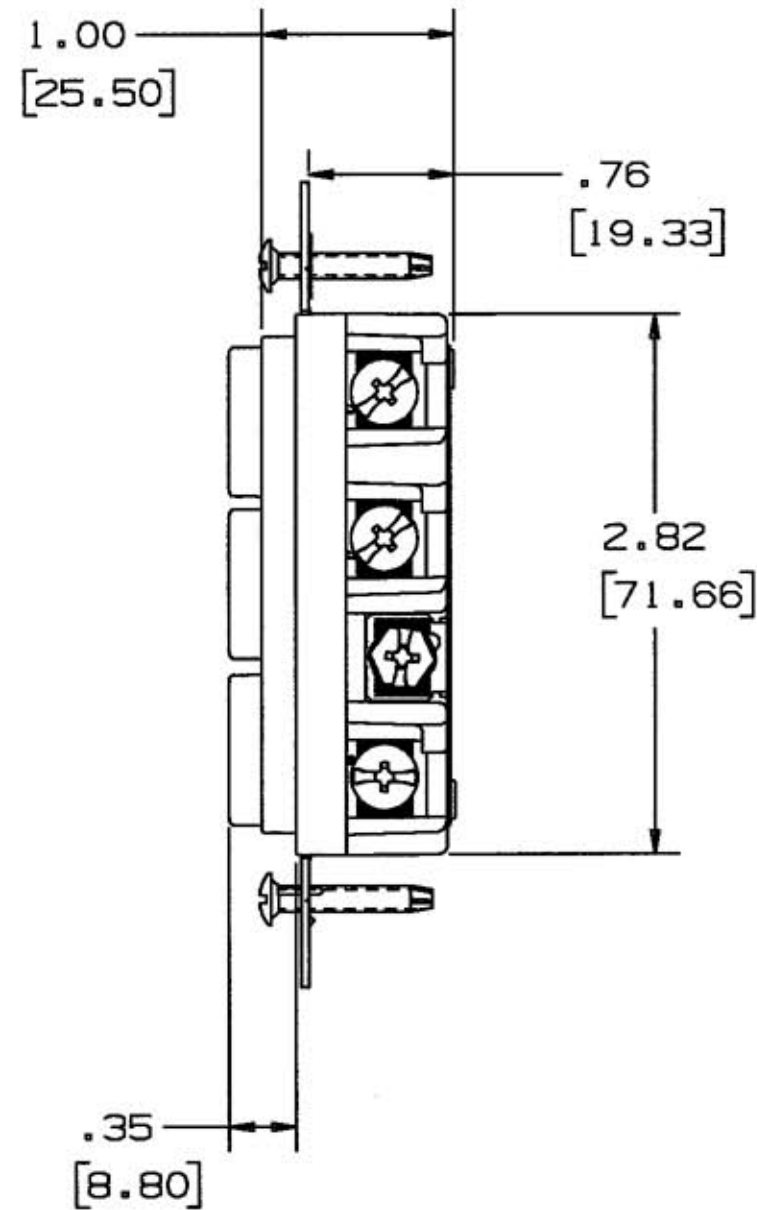
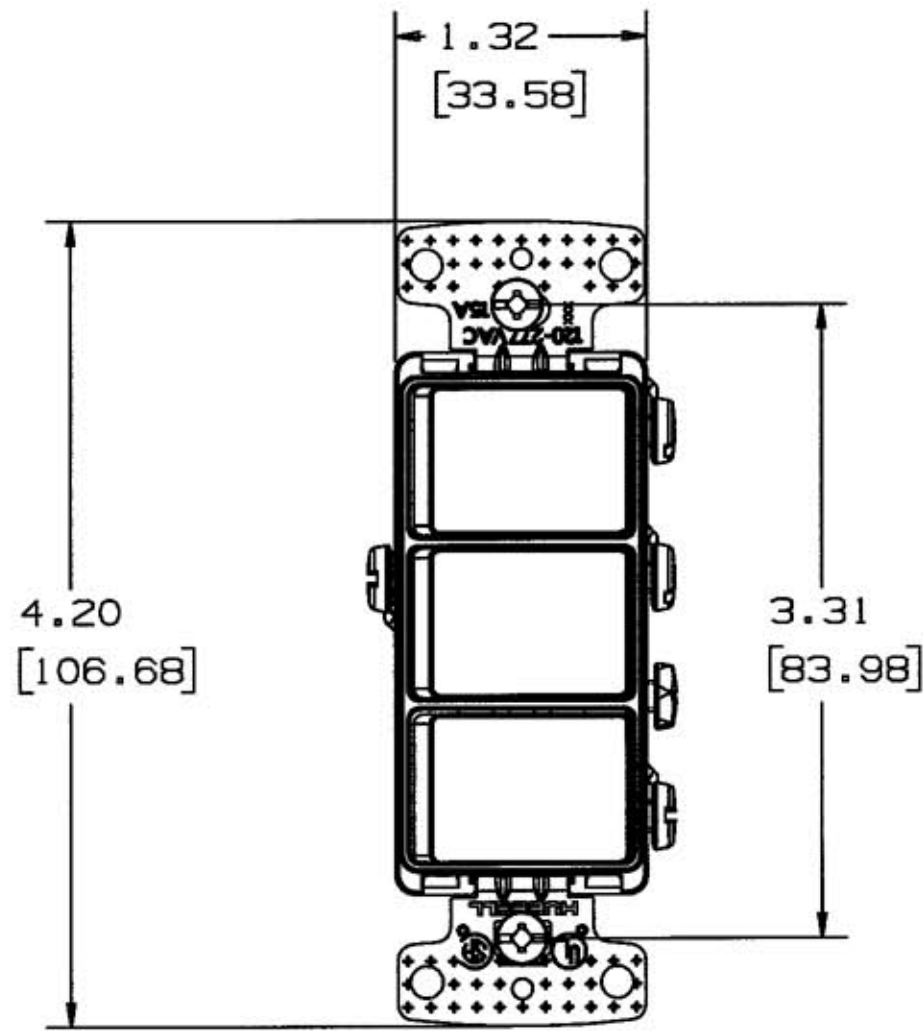


M-9930 1



DIMENSIONS ARE IN INCHES [MM].

LIST OF PARTS		
DESCRIPTION	MATERIAL	FINISH
BRIDGE	STEEL	ZINC
BASE	PLASTIC	
COVER	PLASTIC	
ROCKER BUTTON	PLASTIC	
DRIVE SCREW	STEEL	ZINC
TERMINAL	BRASS	
GROUNDING SPRING	SS	
SPRING HOUSING	PLASTIC	
WASHERS	PLASTIC	
MOUNTING SCREW	STEEL	ZINC
SWITCH CONTACTS	SILVER	
ROCKER CONTACTS	BRASS	
SPRINGS	STEEL	

1	RELEASED TO PRODUCTION PER DCN 13440	FJ	10/6/06
SYM	REVISIONS	APP	DATE

THE DESIGN AND DIMENSIONS OF THE PRODUCT SHOWN ON THIS DRAWING ARE SUBJECT TO CHANGE WITHOUT NOTICE

CATALOG NUMBER	COLOR	STYLE
RCD111	BROWN	SP/SP/SP
RCD111I	IVORY	
RCD111W	WHITE	
RCD111GY	GRAY	
RCD111BK	BLACK	
RCD111AL	ALMOND	
RCD111LA	LIGHT ALMOND	

TITLE
15A COMBINATION TRIPLE DECORATOR SWITCH

TOLERANCES UNLESS OTHERWISE SPECIFIED	WIRING DEVICE-KELLEMS HUBBELL INCORPORATED BRIDGEPORT, CT	
FRACTIONS ± 1/64	DR. BY MPF	APP. BY FJ
DECIMALS ± .005	TR. BY	SCALE 1/1
ANGLES ± 2°	CHK'D BY FJ	DATE 10/3/05

DIMENSION SHEET FOR CAT. NO. M-9930
 REPAIRABLE NON-REPAIRABLE