

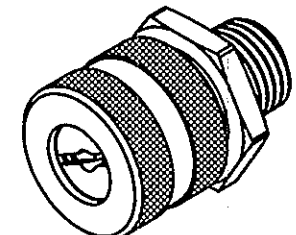
M-12913

1

CATALOG NUMBER	BODY COLOR	GOTCHA RING COLOR CODE	NPT HUB SIZE	CORD DIA. RANGE	Ø A (OVERALL)	(B) [4]	C	Ø D (THROAT DIA.)	*E ACROSS CORNERS	*E ACROSS FLATS
SHC1002	ALUMINUM	ORANGE	1/4"	.13-.19 [3.2-4.7]	.88 [22.4]	.90 [22.9]	.42 [10.7]	.34 [8.7]	.99 [25.1]	.88 [22.4]
SHC1003	ALUMINUM	RED	1/4"	.19-.25 [4.7-6.3]	.88 [22.4]	.90 [22.9]	.42 [10.7]	.34 [8.7]	.99 [25.1]	.88 [22.4]
SHC1004	ALUMINUM	BLACK	1/4"	.25-.31 [6.3-7.9]	.88 [22.4]	.90 [22.9]	.42 [10.7]	.34 [8.7]	.99 [25.1]	.88 [22.4]
SHC1005	ALUMINUM	WHITE	1/4"	.31-.38 [7.9-9.5]	.88 [22.4]	.90 [22.9]	.42 [10.7]	.34 [8.7]	.99 [25.1]	.88 [22.4]
SHC1007	ALUMINUM	GREEN	3/8"	.06-.13 [1.6-3.2]	.88 [22.4]	.90 [22.9]	.43 [10.9]	.46 [11.7]	.99 [25.1]	.88 [22.4]
SHC1008	ALUMINUM	ORANGE	3/8"	.13-.19 [3.2-4.7]	.88 [22.4]	.90 [22.9]	.43 [10.9]	.46 [11.7]	.99 [25.1]	.88 [22.4]
SHC1009	ALUMINUM	RED	3/8"	.19-.25 [4.7-6.3]	.88 [22.4]	.90 [22.9]	.43 [10.9]	.46 [11.7]	.99 [25.1]	.88 [22.4]
SHC1010	ALUMINUM	BLACK	3/8"	.25-.31 [6.3-7.9]	.88 [22.4]	.90 [22.9]	.43 [10.9]	.46 [11.7]	.99 [25.1]	.88 [22.4]
SHC1011	ALUMINUM	WHITE	3/8"	.31-.38 [7.9-9.5]	.88 [22.4]	.90 [22.9]	.43 [10.9]	.46 [11.7]	.99 [25.1]	.88 [22.4]
SHC1012	ALUMINUM	BLUE	3/8"	.38-.44 [9.5-11.0]	.88 [22.4]	.90 [22.9]	.43 [10.9]	.46 [11.7]	.99 [25.1]	.88 [22.4]
SHC1015	ALUMINUM	RED	1/2"	.19-.25 [4.7-6.3]	.88 [22.4]	.90 [22.9]	.55 [14.0]	.45 [11.4]	.99 [25.1]	.88 [22.4]
SHC1016	ALUMINUM	BLACK	1/2"	.25-.31 [6.3-7.9]	.88 [22.4]	.90 [22.9]	.55 [14.0]	.45 [11.4]	.99 [25.1]	.88 [22.4]
SHC1017	ALUMINUM	WHITE	1/2"	.31-.38 [7.9-9.5]	.88 [22.4]	.90 [22.9]	.55 [14.0]	.45 [11.4]	.99 [25.1]	.88 [22.4]
SHC1018	ALUMINUM	BLUE	1/2"	.38-.44 [9.5-11.0]	.88 [22.4]	.90 [22.9]	.55 [14.0]	.45 [11.4]	.99 [25.1]	.88 [22.4]

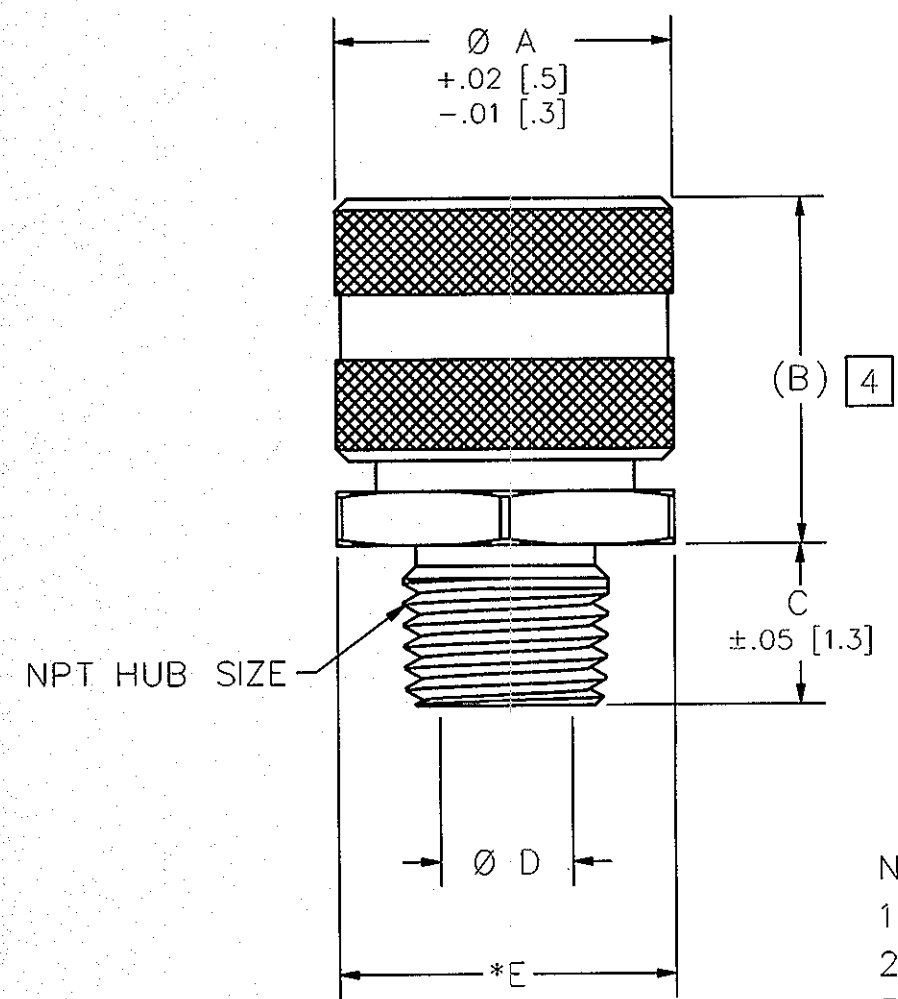
LIST OF PARTS		
DESCRIPTION	MATERIAL	FINISH
CORD CONNECTOR BODY STR. MALE	ALUMINUM	
BUSHING	BLACK NEOPRENE	SEE NOTE 3
GOTCHA RING	NYLON	SEE TABLE
NUT	ALUMINUM	

DIMENSION SHEET FOR CAT. NO. SEE TABLE



CATALOG NO. SHC1002
(NOT SHOWN TO SCALE)

REPAIRABLE NON-REPAIRABLE



- NOTES:
1. DIMENSIONS ARE IN INCHES [MM].
 2. LOCKNUT PURCHASED SEPARATELY.
 3. BUSHING COATED WITH AMBER PETROLEUM JELLY.
 - 4 REFERENCE ONLY, DIMENSION MAY VARY.

1	INITIAL RELEASE PER DCN 21189	DDL	05/06/15
REV	DESCRIPTION	APP	DATE

THE DESIGN AND DIMENSIONS OF THE PRODUCT SHOWN ON THIS DRAWING ARE SUBJECT TO CHANGE WITHOUT NOTICE

TITLE
STRAIGHT ALUMINUM CORD CONNECTOR FORM 1

TOLERANCES UNLESS OTHERWISE SPECIFIED .XX = ± .01 .XXX = ± .005 ANGLES = ± 2°	WIRING DEVICE-KELLEMS HUBBELL INCORPORATED SHELTON, CT	
	DR. BY SR	APP. BY
	TR. BY	SCALE 2:1
	CHK. BY DDL	DATE 05/06/15

B M-12913