

4

3

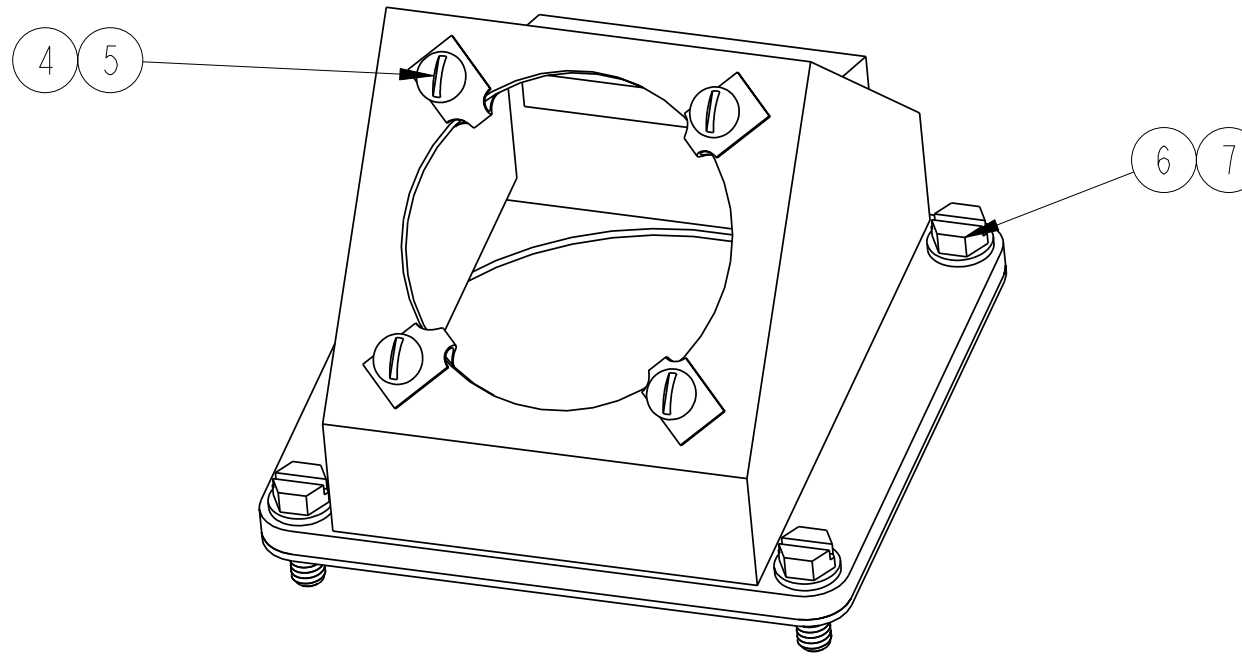
2

REV. A	SHEET 1 OF 1	DOCUMENT NO. ZP-C-2520-12
REVISIONS		
LTR	DESCRIPTION	DATE
A	INITIAL RELEASE	3-28-06

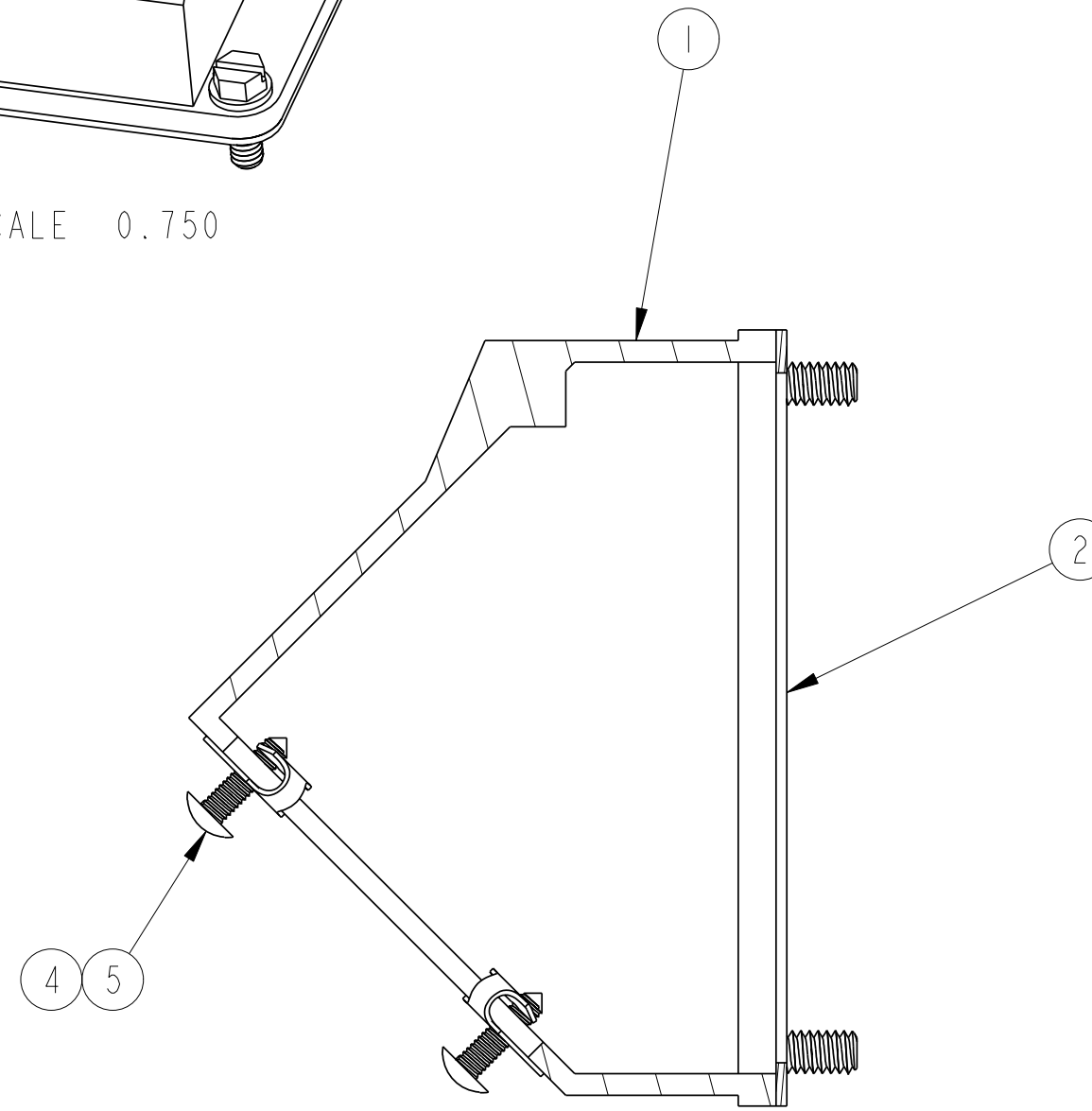
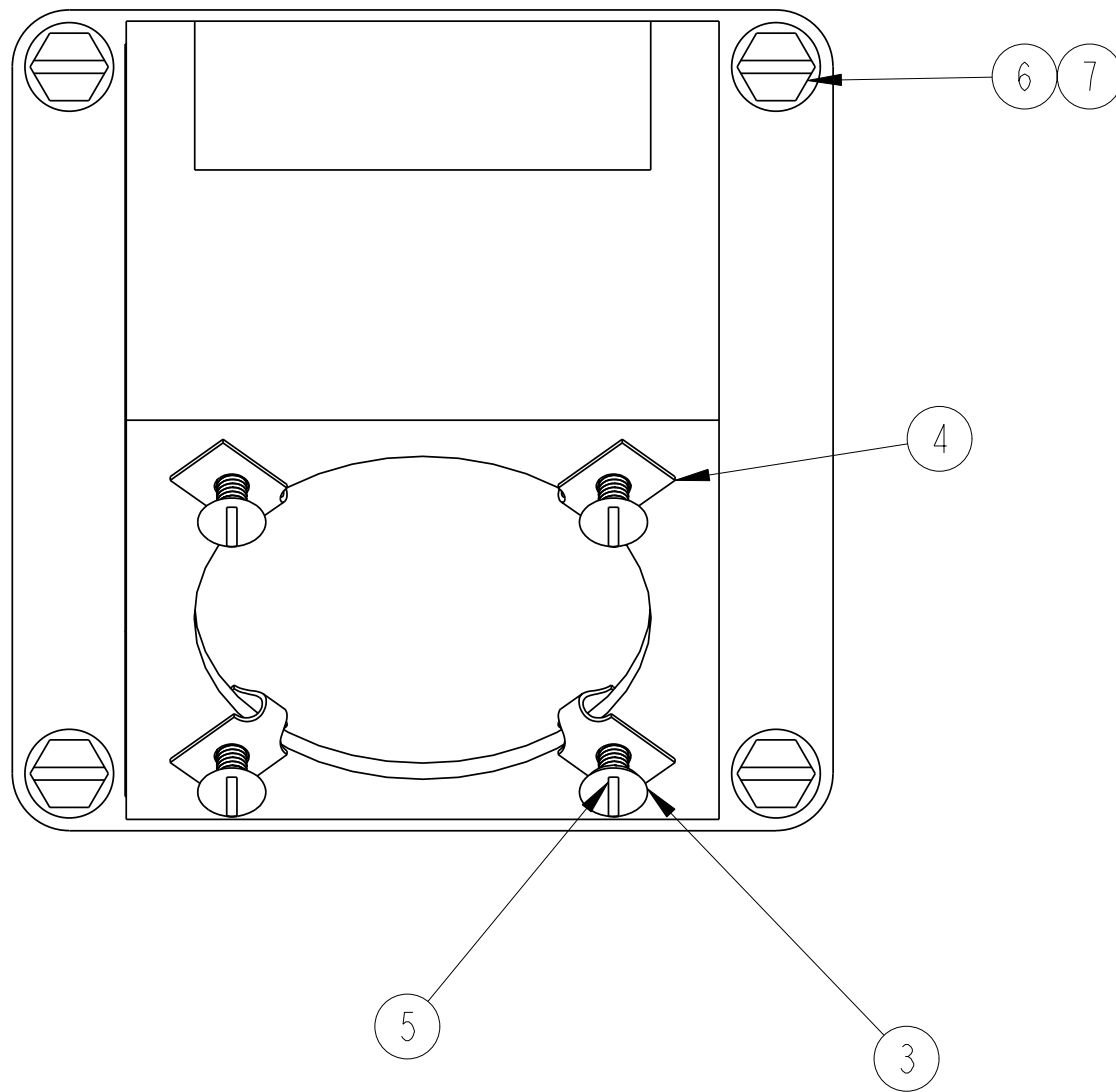
ZP-C-2520-12

SHEET 1 OF 1

REV. A



SCALE 0.750



SECTION A-A

POS	QTY	PART NUMBER	DESCRIPTION	NOTE
7	4	101254	1/4" LOCK WASHER	
6	4	100862	1/4-20 X 3/4 HEX HEAD SCREW	
5	4	ZP-9020-23F	#10 SHEET METAL SCREW	
4	4	ZP-9020-15F	SPEED NUT	
3	1	ZP-6620-11C	O-RING	2
2	1	JR-10036-G	GASKET	
1	1	ZP-2520-12A	JUNCTION BOX COVER	

PARTS LIST

- 2. ITEM # 3 LOCATION OPTIONAL PER APPLICATION.
- 1. NO INKSTAMP REQUIRED

NOTES:

THE USE OF THIS DOCUMENT IS UNLIMITED. HOWEVER, DOCUMENTS REFERENCED HEREON MAY CONTAIN LIMITED RIGHTS DATA.

UNLESS OTHERWISE SPECIFIED

LINEAR DIMENSIONS ARE IN INCHES
TOLERANCES:
.XXXX = ±.0005 ANGLES = ±2°
.XXX = ±.010
.XX = ±.03
.X = ±.1

DIM. & TOL. PER ASME Y14.5M;
DRM PER MIL-DTL-31000;
OTHER Amphenol Stds. PER 9-3800

LEGENDS:
= FLAG NOTE CALL OUT REFERENCE ONLY

SPECIFICATIONS

MATERIAL SPEC.

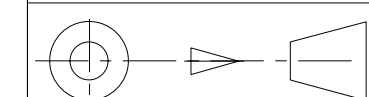
PROCESS SPEC.

9-9380

APPROVALS

PREPARED BY	P. BRUNING	DATE	28-Mar-06
ENGINEER IN CHARGE	P. BRUNING		
DESIGN MANAGER	D. GALLUSSER		
DESIGN ACTIVITY GROUP	C&I		

THIRD ANGLE PROJECTION



AMPHENOL CORPORATION

40-60 DELAWARE AVENUE
SIDNEY, N.Y. 13838

STARLINE COVER
BOX ASSEMBLY

SIZE	CAGE CODE	DOCUMENT NO.	REV.
C	49367	ZP-C-2520-12	A
SCALE: 1.0 REF:			SHEET 1 OF 1

N/A	PRO/ENGINEER INFORMATION
N/A	Pro/e Model Used: ZP-C-2520-12.ASSEM
N/A	Drawing Name: ZP-C-2520-12
N/A	NEXT ASSEMBLY

RELEASED Apr 03 2006, 04:04 PM
ZP-C-2520-12

SHEET 1 OF 1

REV. A

4

3

2

1

SHEET 1 OF 1

ZP-C-2520-12

REV. A